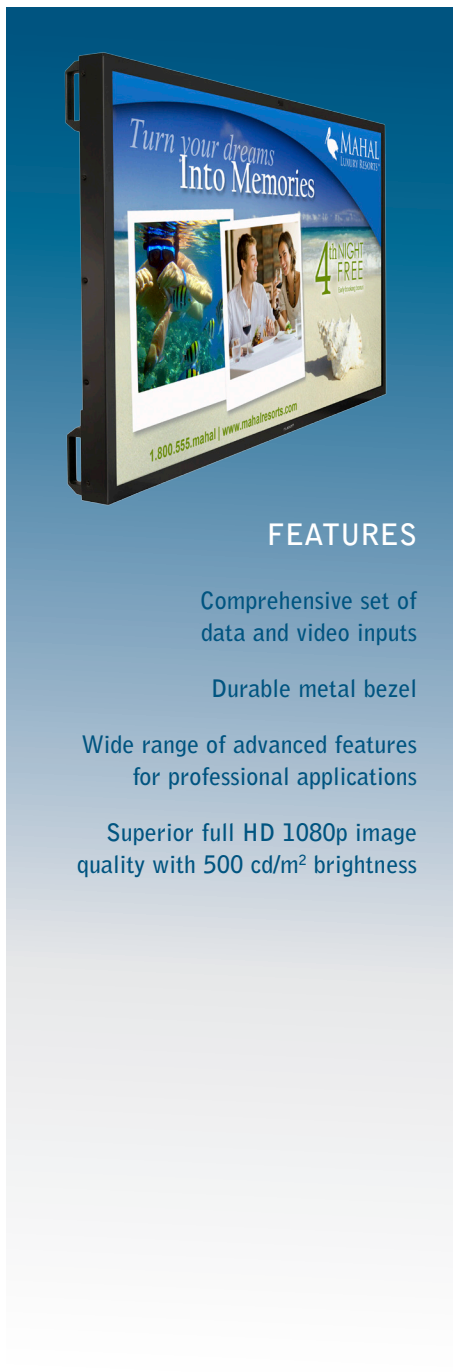


The Planar PS6500 is a 65" professional LCD display delivering multiple connectivity options, enhanced durability, and superior visual performance. To meet the requirements of demanding public signage and corporate applications, the Planar PS6500 provides full HD 1080p resolution with advanced features such as automatic/manual backlight control, video wall support, and RS-232 control. For added protection, the metal bezel on the Planar PS6500 improves durability and reduces heat load on the LCD. The Planar PS6500 is the ideal combination of value, performance, and reliability for any professional large format monitor application.



FEATURES

Comprehensive set of data and video inputs

Durable metal bezel

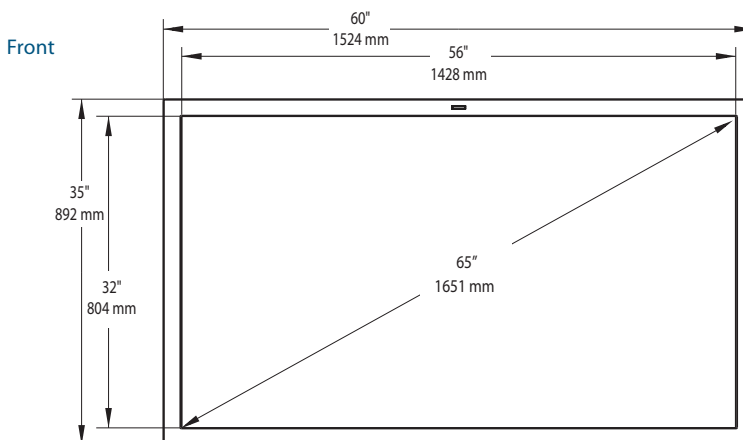
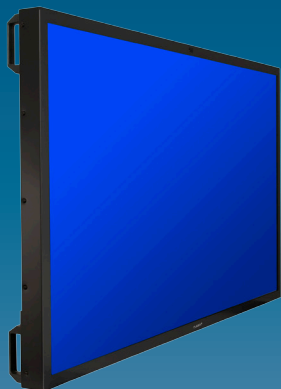
Wide range of advanced features for professional applications

Superior full HD 1080p image quality with 500 cd/m² brightness

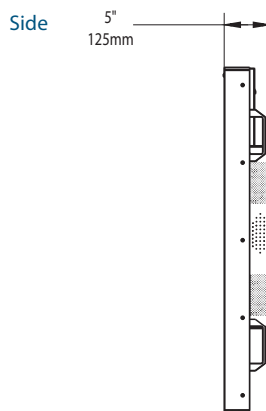
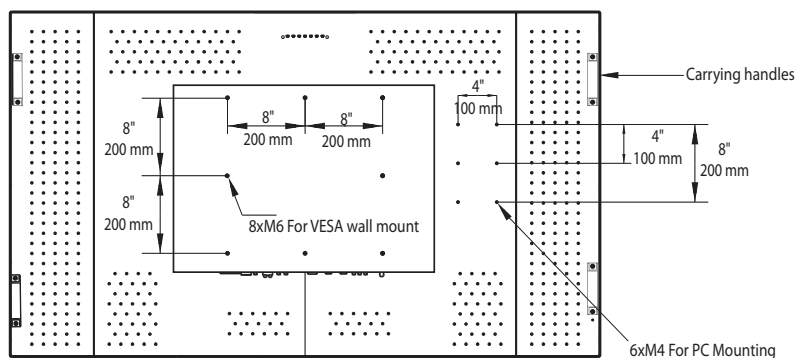
PLANAR PS6500

Display resolution	FHD 1080p (1920 x 1080)
Aspect ratio	16:9
Display type	LCD Active Matrix Flat Panel Display (TFT)
Viewable size	65" diagonal
Cabinet dimensions (WxHxD)	60.0" x 35.1" x 4.9" (1523.6mm x 891.6mm x 124.8mm)
Bezel width	1.7" (42mm)
Brightness (typical)	500 cd/m ²
Response time (typical)	8 ms
Frame rate	60Hz
Contrast ratio (typical)	5000:1
Full viewing angle	178°
Color gamut	72% NTSC
Display weight*	119 lbs (54kg)
Shipping weight*	139 lbs (63kg)
Backlight type	CCFL (Cold cathode fluorescent lamp)
Line voltage	100 - 240V; 50/60Hz
Power consumption (max)	550W
Operating temperature range	0-40°C (32 -104°F)
Operating humidity range	10-90% RH non-condensing
Safety regulations	FCC Class A, UL, CE
Inputs	HDMI, DVI, VGA, Composite Video, Component Video, S-Video
Audio input	Phone jack and L/R RCA jack
Audio output	RCA jack, external speaker connector (10W x 2)
Display control	RS-232C in/out, IR Remote Control, Keypad
Auto brightness control	Ambient light sensor
Enclosure	Metal, industrial
Display orientation	Landscape
Mounting	VESA: 400 x 400mm; 8 holes PC: 100 x 200mm; 6 holes
Backlight life (1/2 brightness)	50,000 hours
Features	Video wall support up to 10x10 configuration, Carrying handles, On/Off scheduling, Picture-in-Picture (PiP), TAA compliant
Optional accessories	Flat wall mount, tilting wall mount, table stand
Warranty	3-year, 2-day advance replacement

PLANAR PS6500



Back



For more information

To learn more about the Planar PS6500 by Planar Systems, call 503-748-1100 or visit www.planardigitalsignage.com.

Standard inputs



When image experience matters.

Planar Systems, Inc.
 1195 NW Compton Drive
 Beaverton, OR, 97006-1992, USA
 Toll Free +1-866-475-2627
www.planar.com

Planar is a trademark of Planar Systems, Inc. All other trade and service marks are the property of their holders.

Copyright © 2011 Planar Systems, Inc. All rights reserved. This document may not be copied in any form without written permission from Planar Systems, Inc. Information in this document is subject to change without notice.